

# **ahead RC** Crawler

## Bog 406 Doka Bed

### Assembly Manual



## Required tools and hardware

### Tools

- 1.5mm Hex Driver
- 2.0mm Hex Driver
- 2.5mm Hex Driver
- Needle Nosed Pliers
- Instant Glue
- Hot Glue

### Electronics

- 5mm LED White x2
- 5mm LED Red x2
- 5mm LED Orange x2

### Hardware

Hardware	Quantity	Check
M2*8 Socket head (for hook version of bed only)	12	
M2*12 Socket head	4	
M3*10 Socket head	12	
M3*16 Socket head	2	
M3*20 Socket head	8	
<b>M3*40 Socket head (for TRX4 only)</b>	2	
M3*10 Countersunk (CS)	8	
M3*16 Countersunk (CS)	6	
<b>M3*16 Button head (BH) (for SCX10 ii, SCX10 iii, TRX4 only)</b>	4	
M3 Washer	8	
<b>Additional screws for VS4-10 ONLY-----</b>	-----	
M3*10 Socket head	2	
M3*16 Socket head	2	
M3*20 Countersunk (CS)	2	

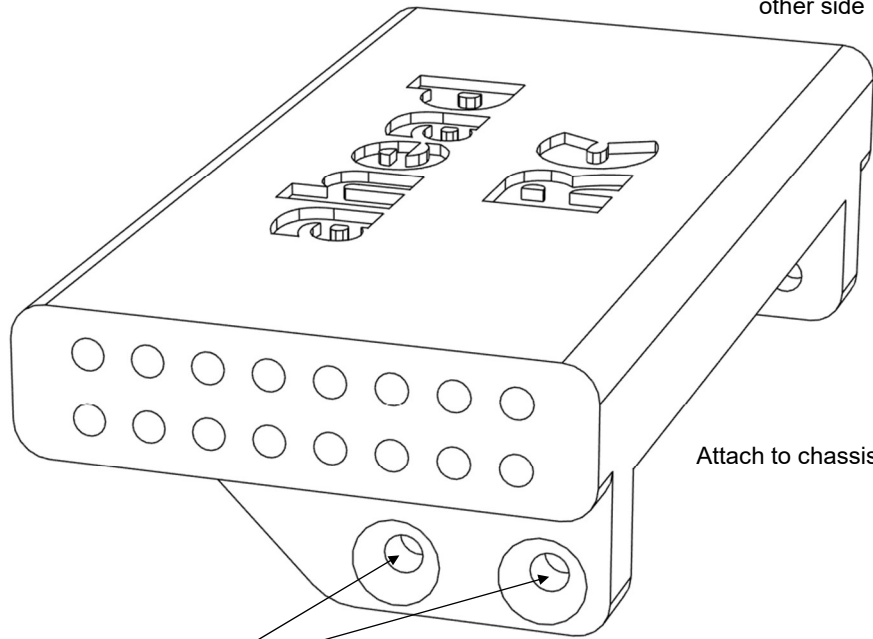
# Before you begin

- Be sure to read through the manual and familiarise yourself with the instructions
- Visualise a plan to assemble all the pieces
- Make sure you have all of the hardware and tools
- Be sure to have enough instant glue
- Dry fit all parts before painting and assembling


Tip: It will help to paint all of the parts before final assembly

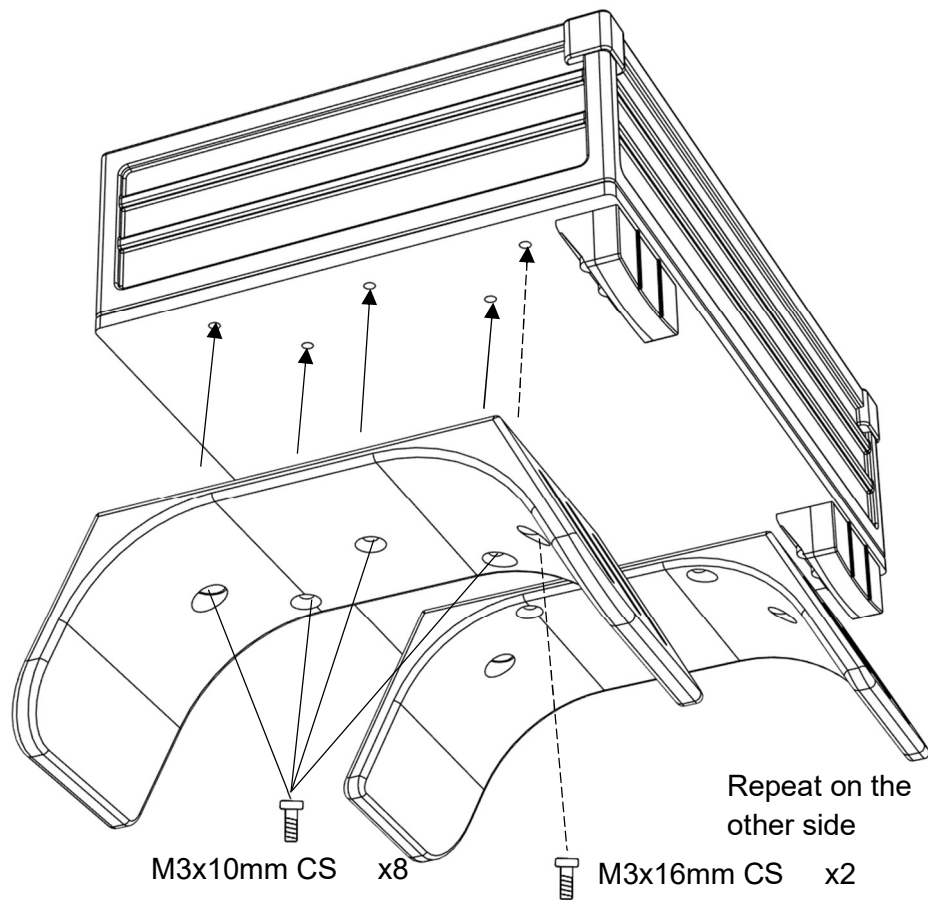
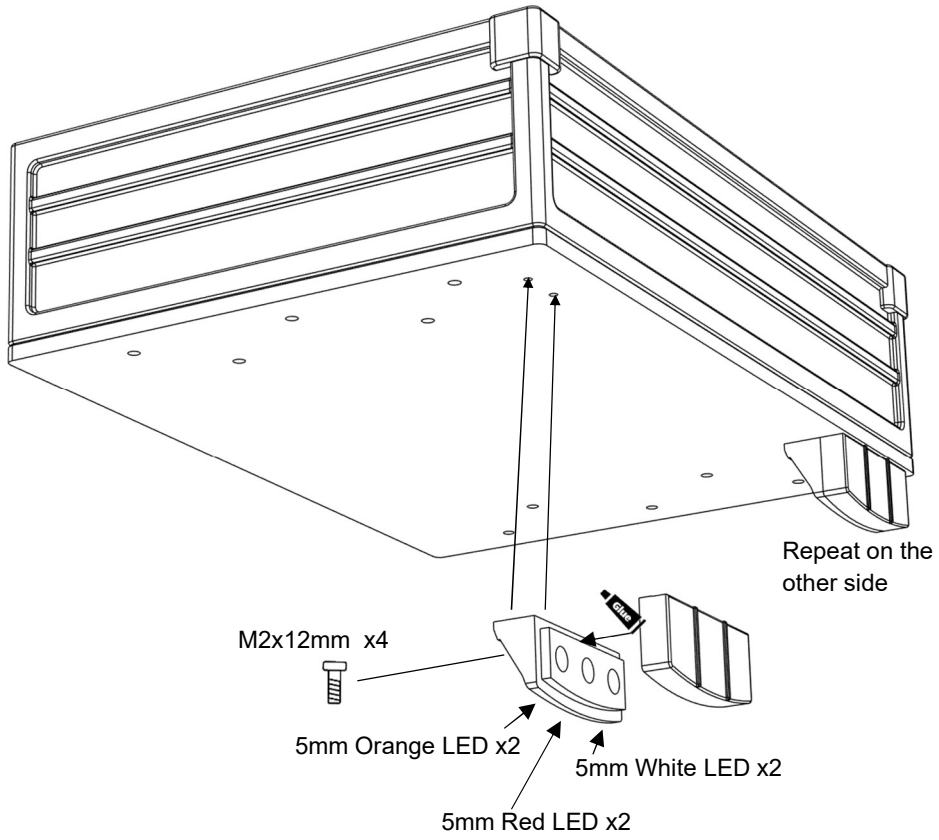
# Rear shock tower

Repeat on the  
other side

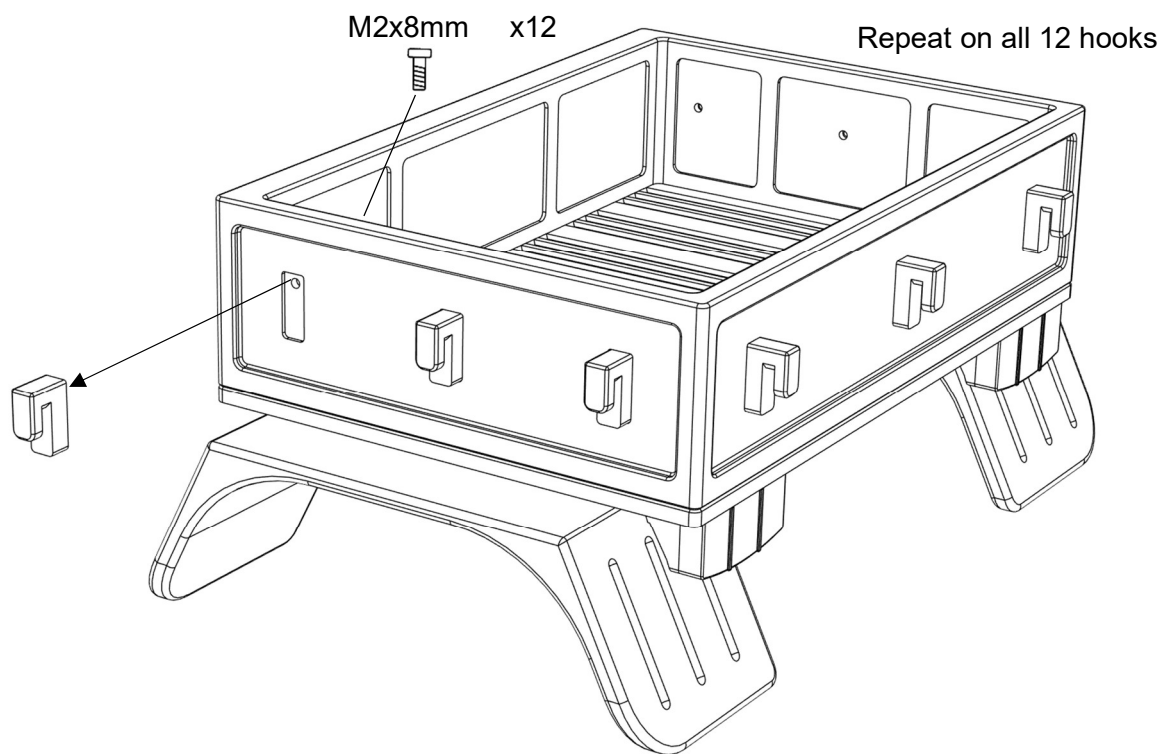


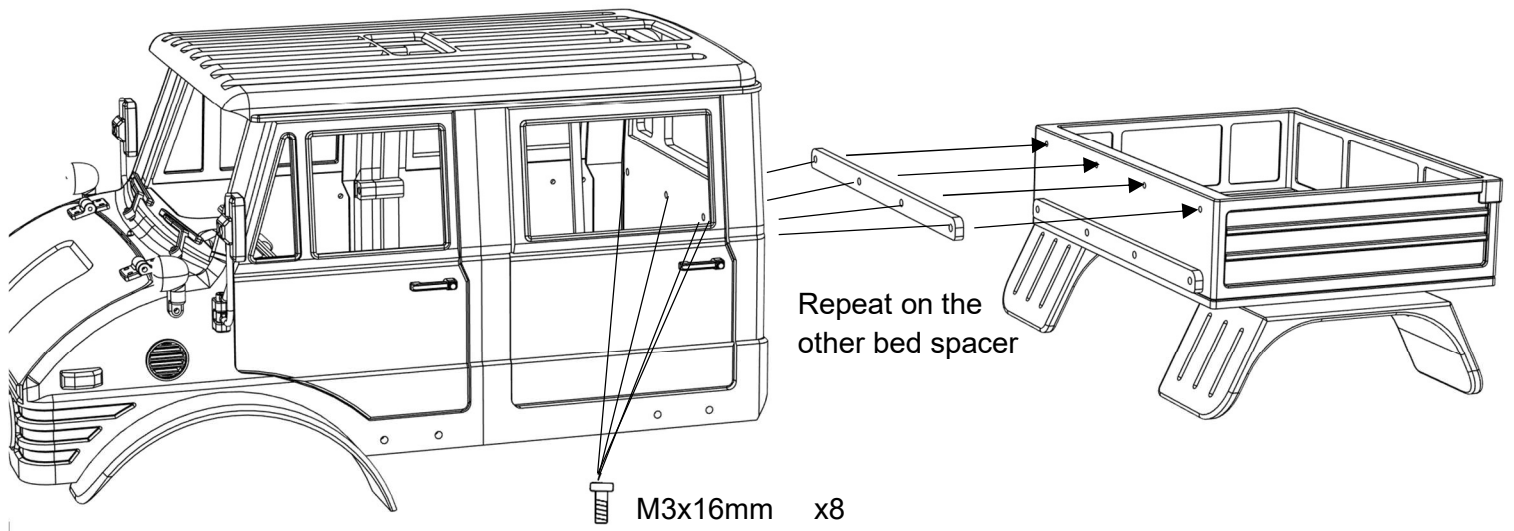
Attach to chassis

-  VS4-10: M3x16mm CS x4
- SCX10 ii: M3x16mm BH x4
- SCX10 iii: M3x16mm BH x4
- TRX4: M3x16mm BH x4



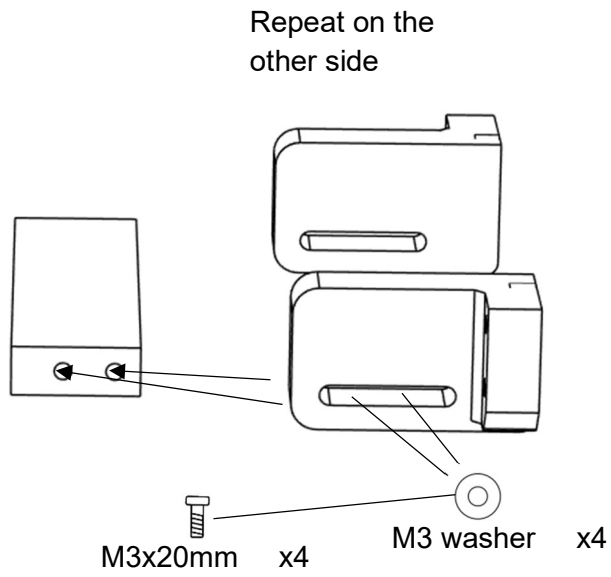
# Bed (hook version only)



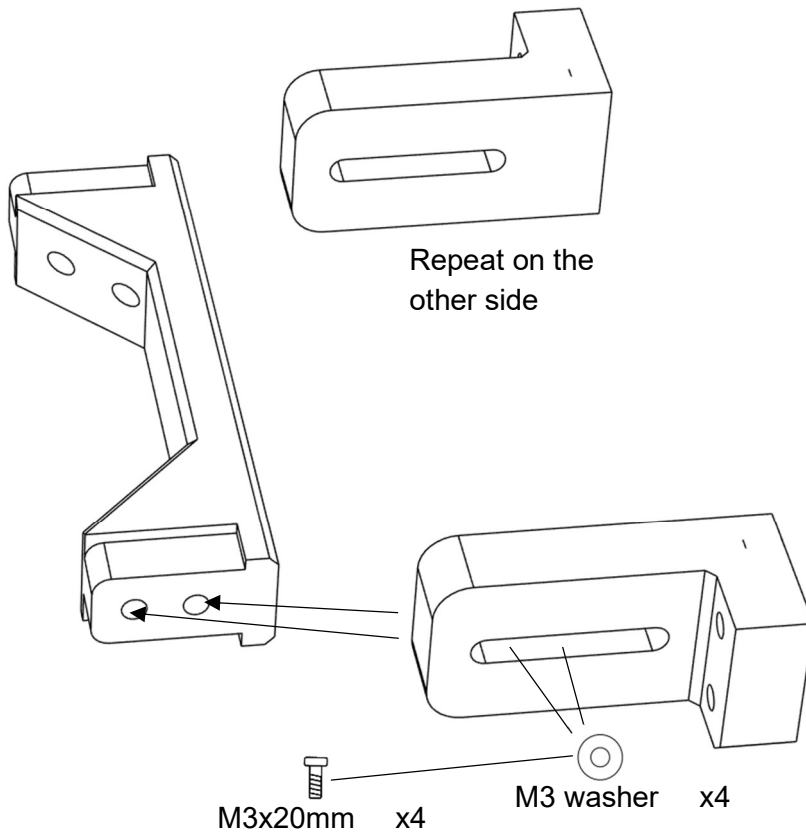


# Bumper mount

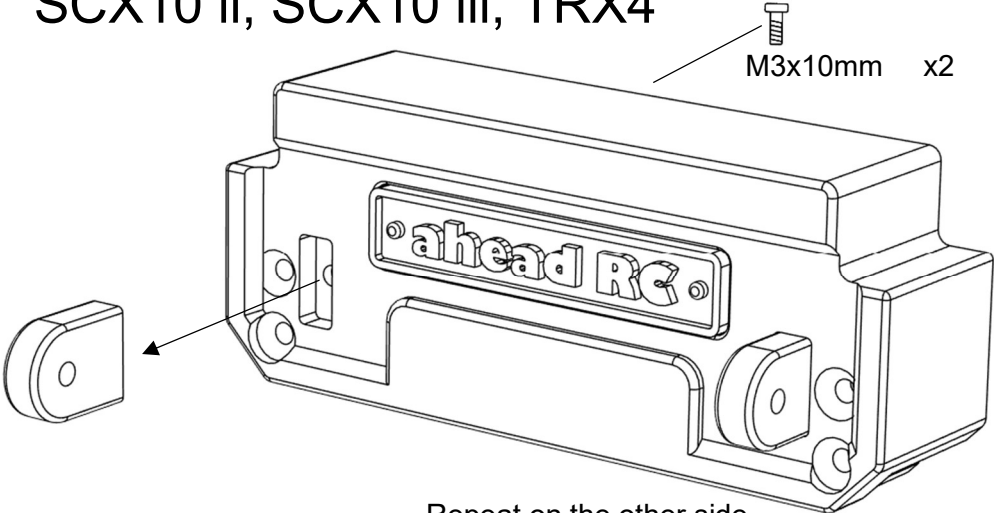
## SCX10 ii, SCX10 iii



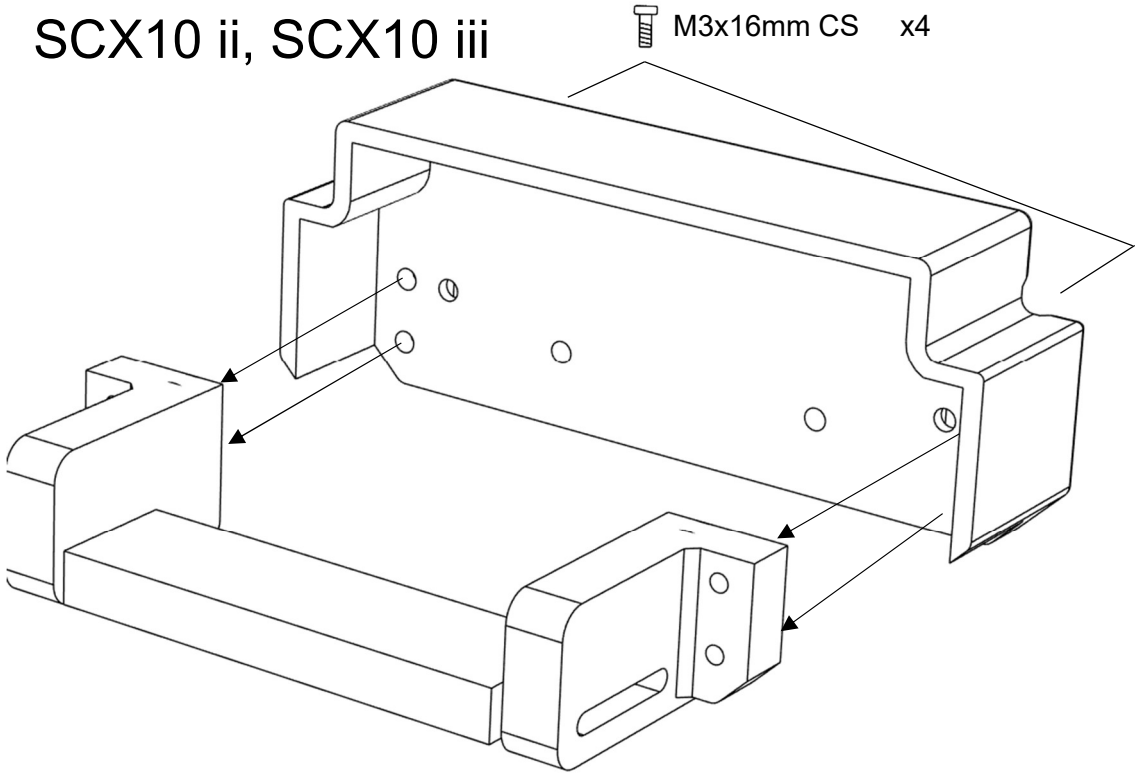
## TRX4



# SCX10 ii, SCX10 iii, TRX4

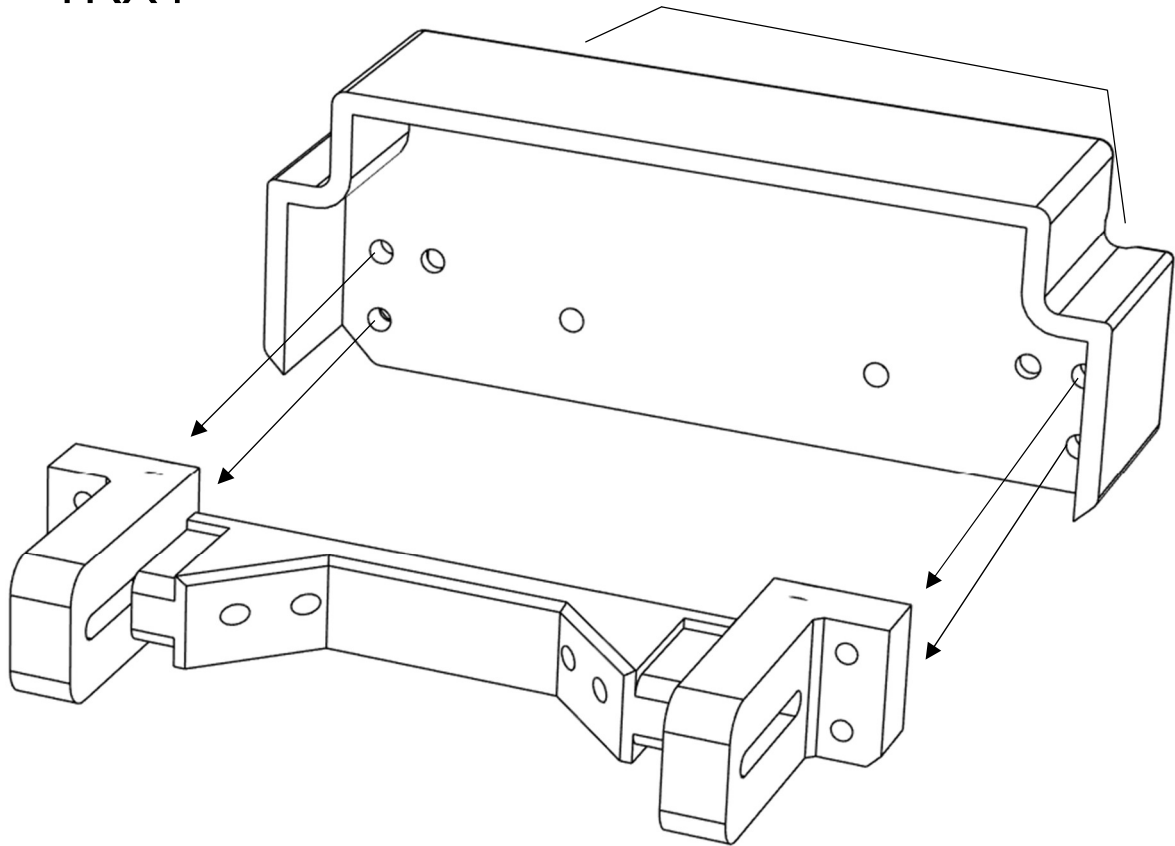


# SCX10 ii, SCX10 iii

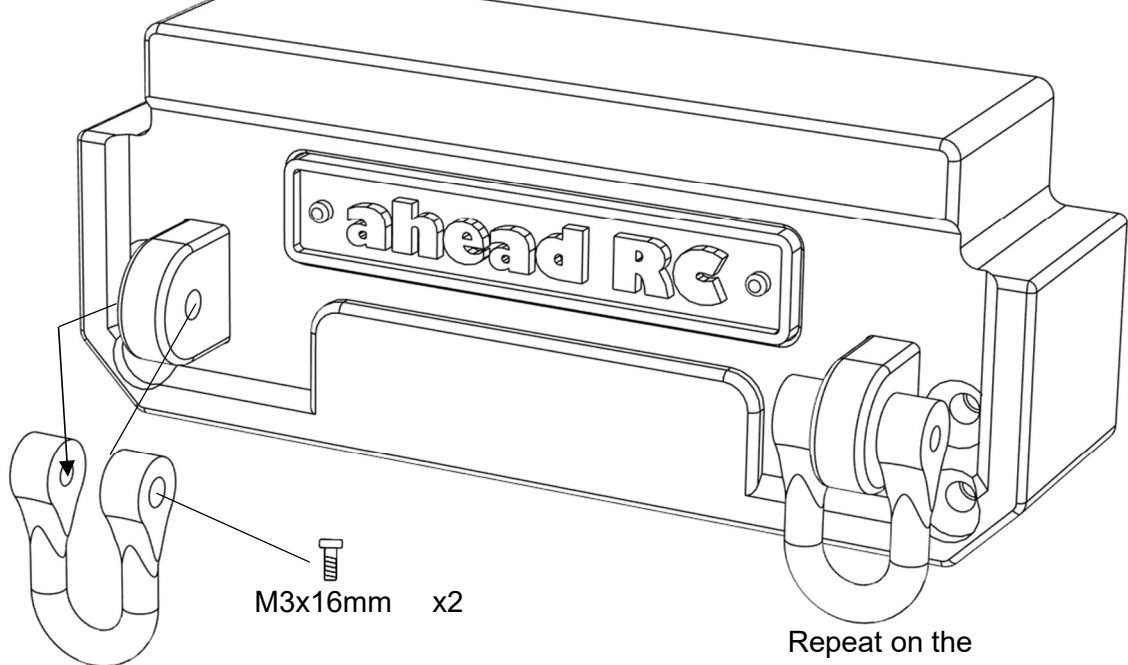


TRX4

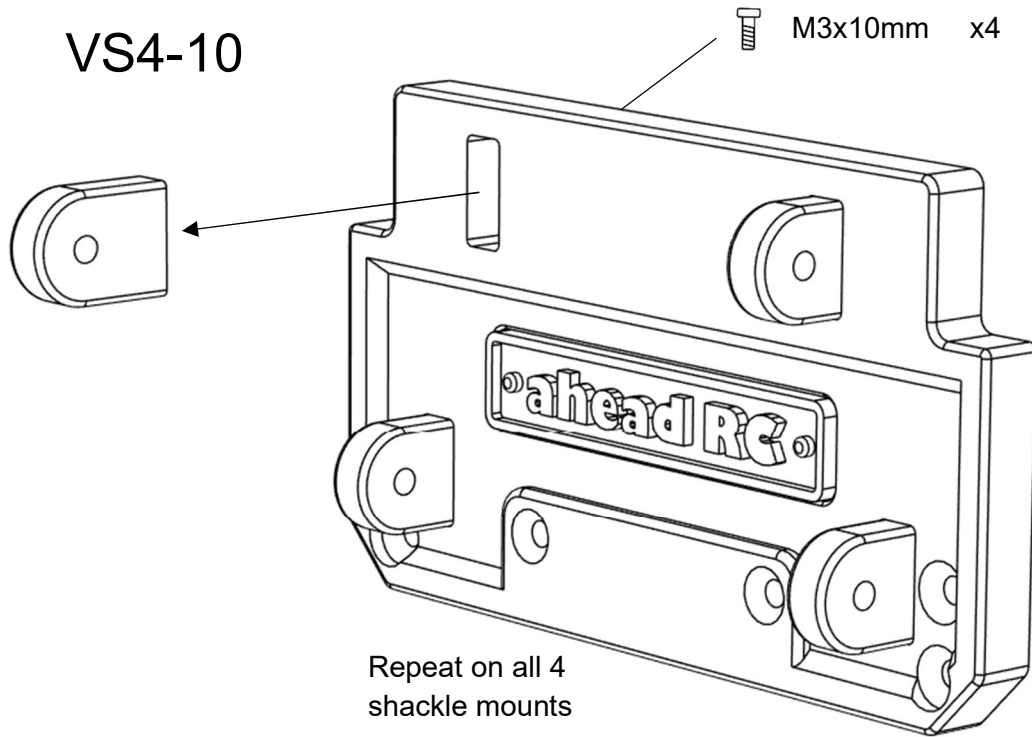
M3x16mm CS x4



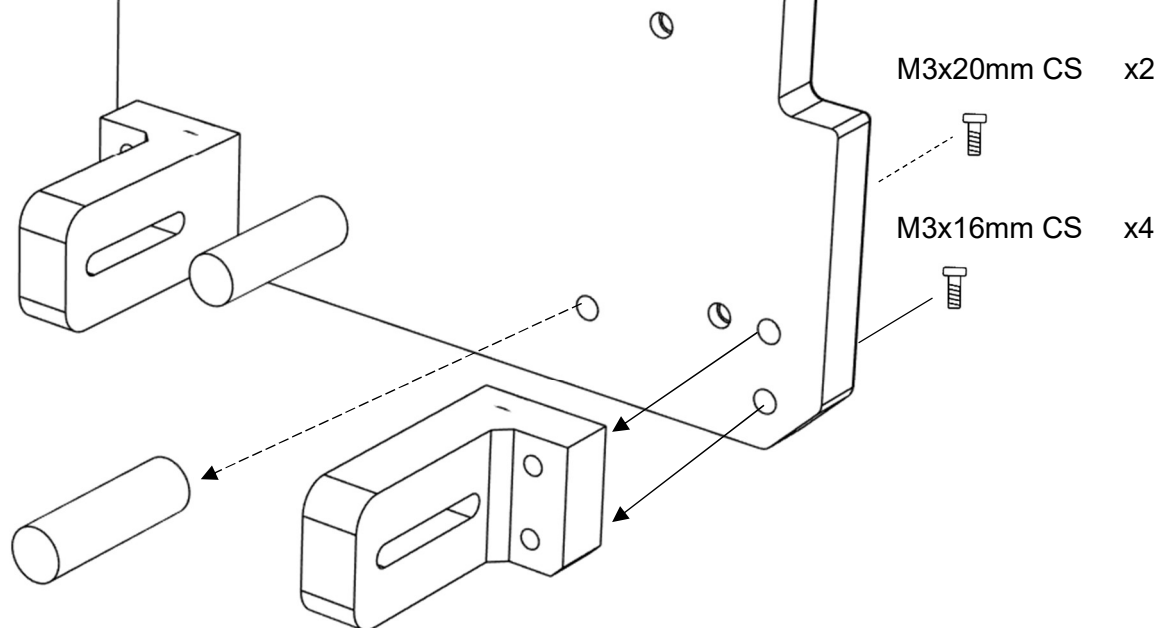
SCX10 ii, SCX10 iii, TRX4

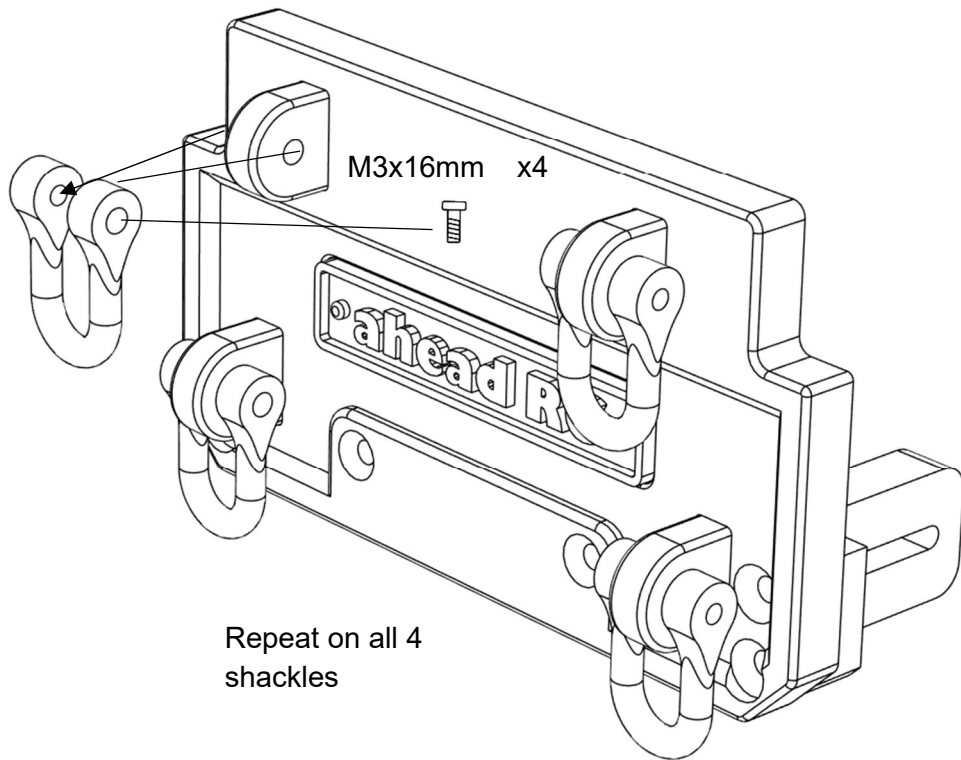


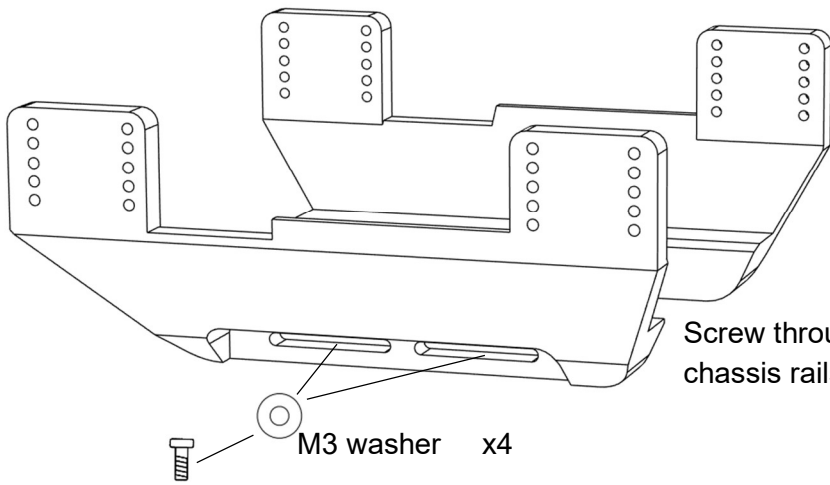
VS4-10



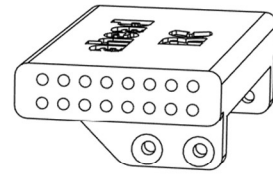
Repeat on the other side



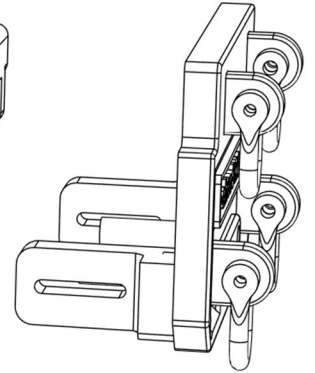




Screw through chassis rails

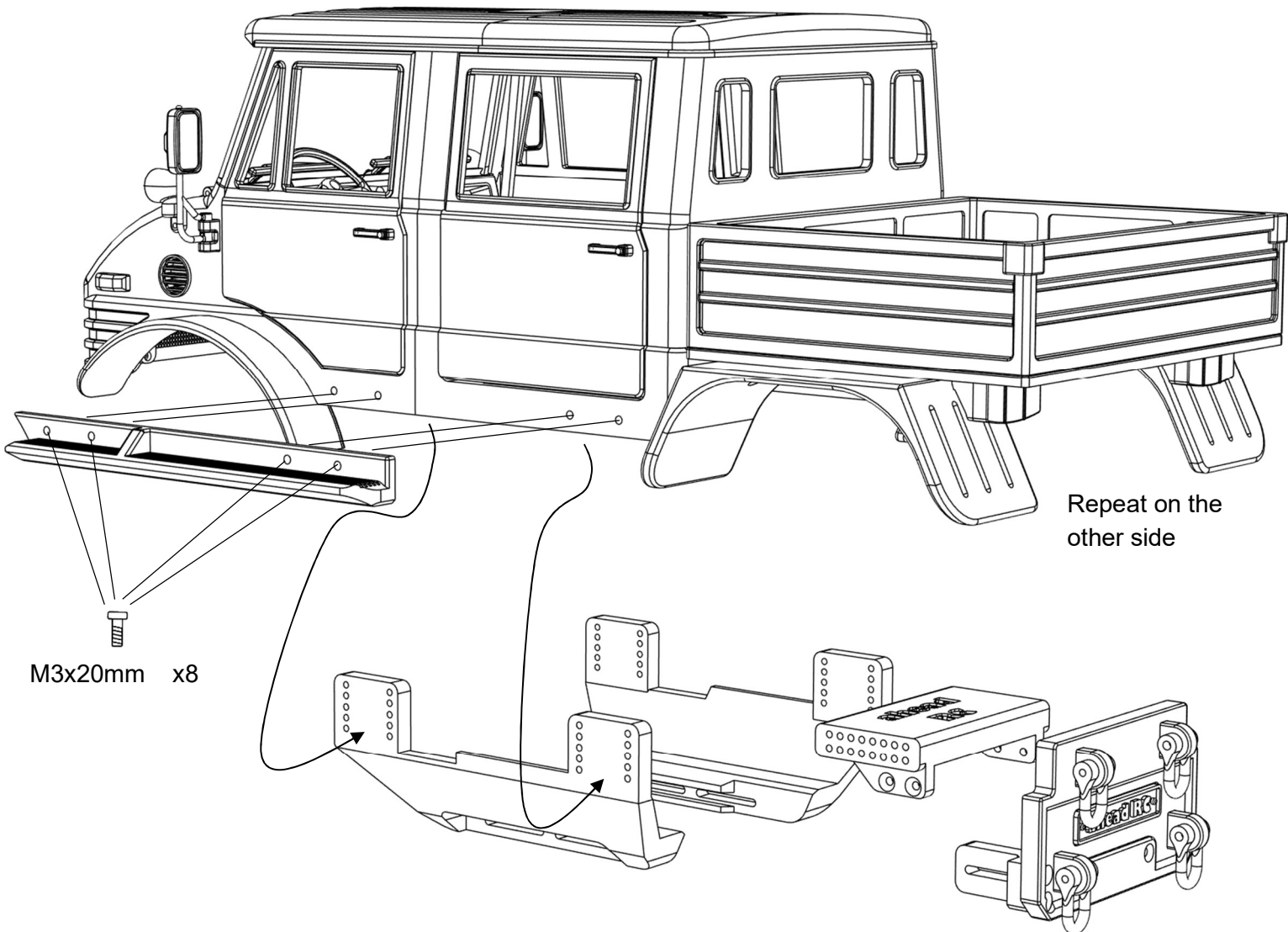


Repeat on the other side



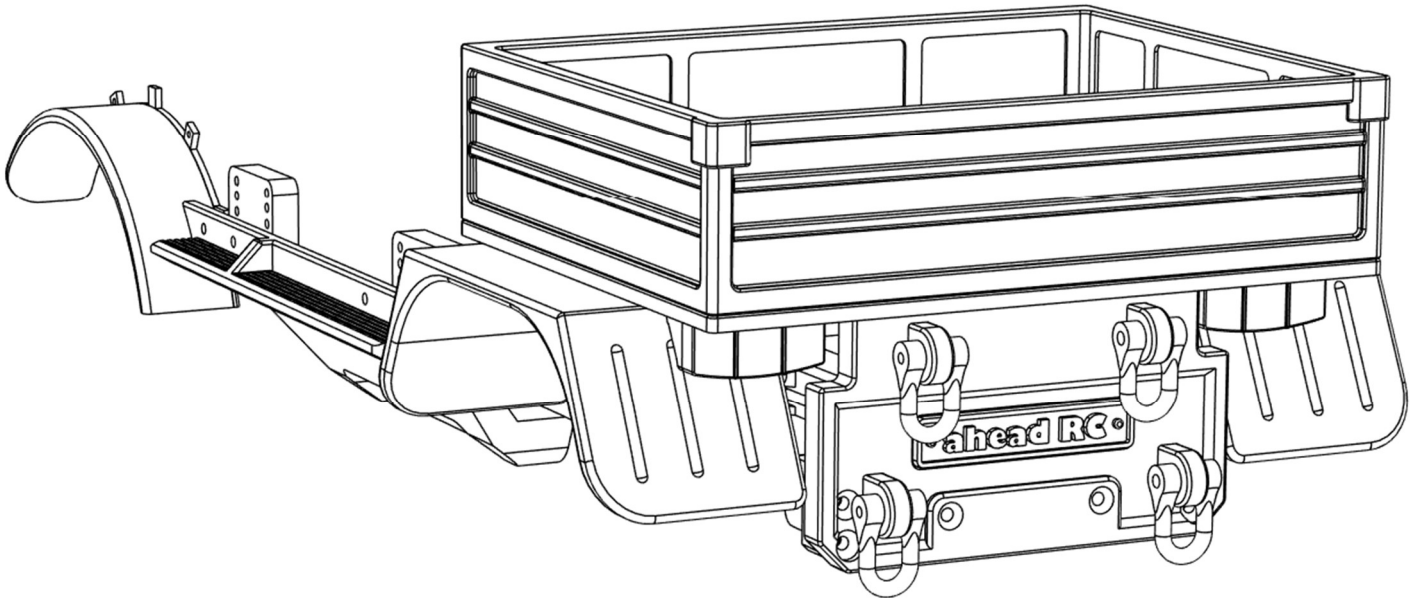
- SCX10 ii: M3x20mm x4
- SCX10 iii: M3x20mm x4
- VS4-10: SCX10 ii: M3x20mm x4

- TRX4: M3x20mm x2 (front),
- M3x40mm x2 (rear)



Repeat on the other side

M3x20mm x8



Body is now fully complete. Thank you for selecting ahead RC products.

If you have any questions or need help with the assembly, please do not hesitate to contact us at:

[aheadrc@gmail.com](mailto:aheadrc@gmail.com)

or visit us at:

[www.aheadrc.com](http://www.aheadrc.com)