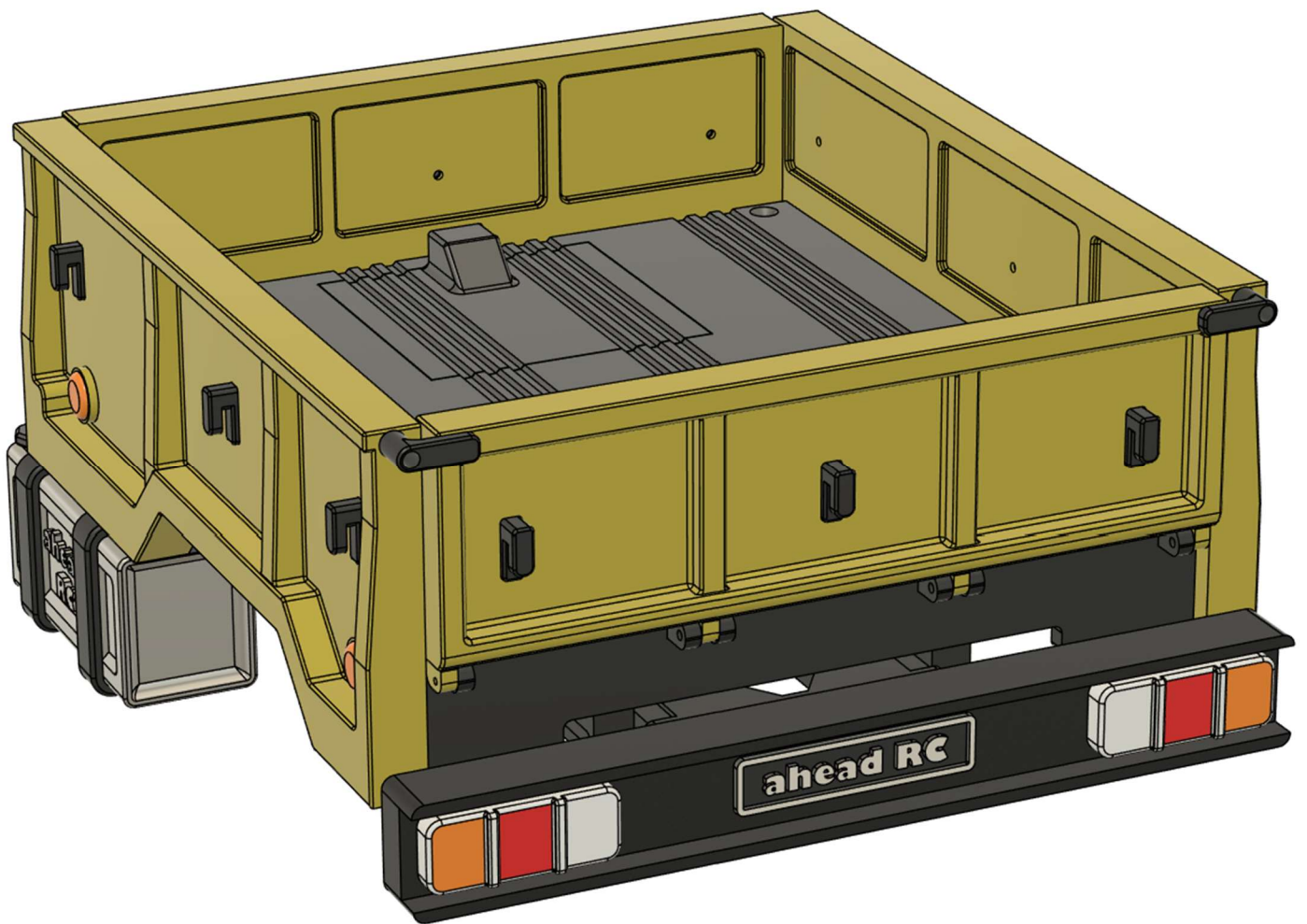


ahead RC Crawler

M939 4x4 Flatbed

Assembly Manual



Required tools and hardware

Tools

- 1.5mm Hex Driver
- 2.0mm Hex Driver
- 2.5mm Hex Driver
- 1.5mm L shaped hex wrench
- 2.5mm L shaped hex wrench
- Needle Nosed Pliers
- Instant Glue

Electronics

- 5mm LED White x2
- 5mm LED Red x2
- 5mm LED Orange x2
- 3mm LED Orange x4

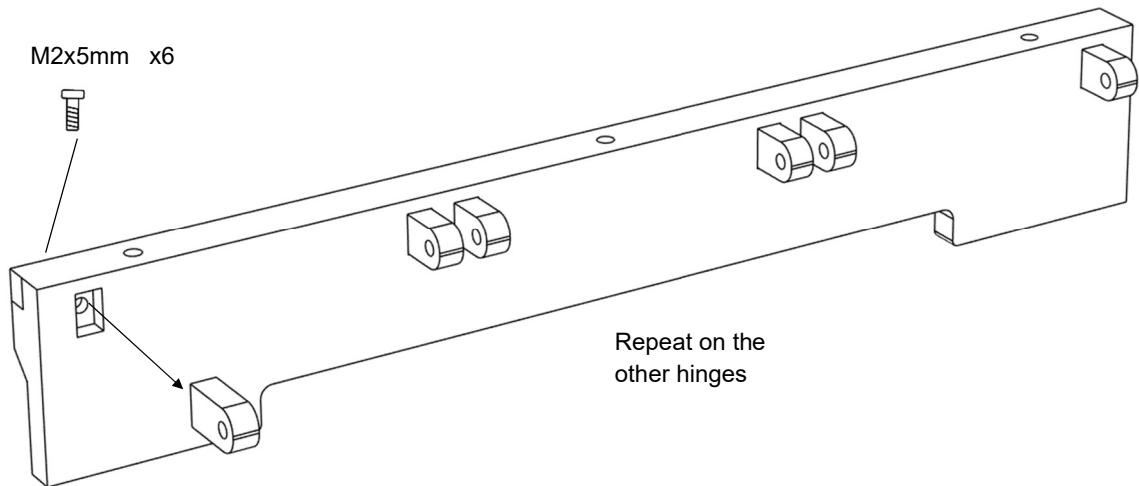
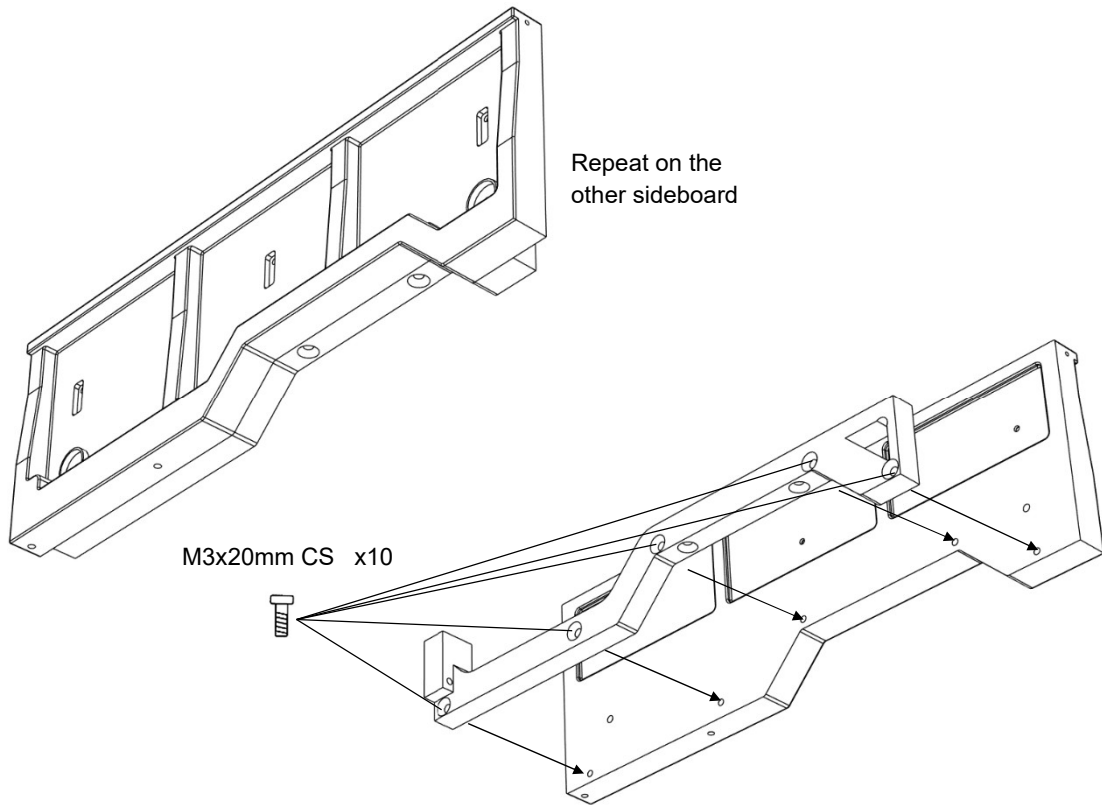
Hardware

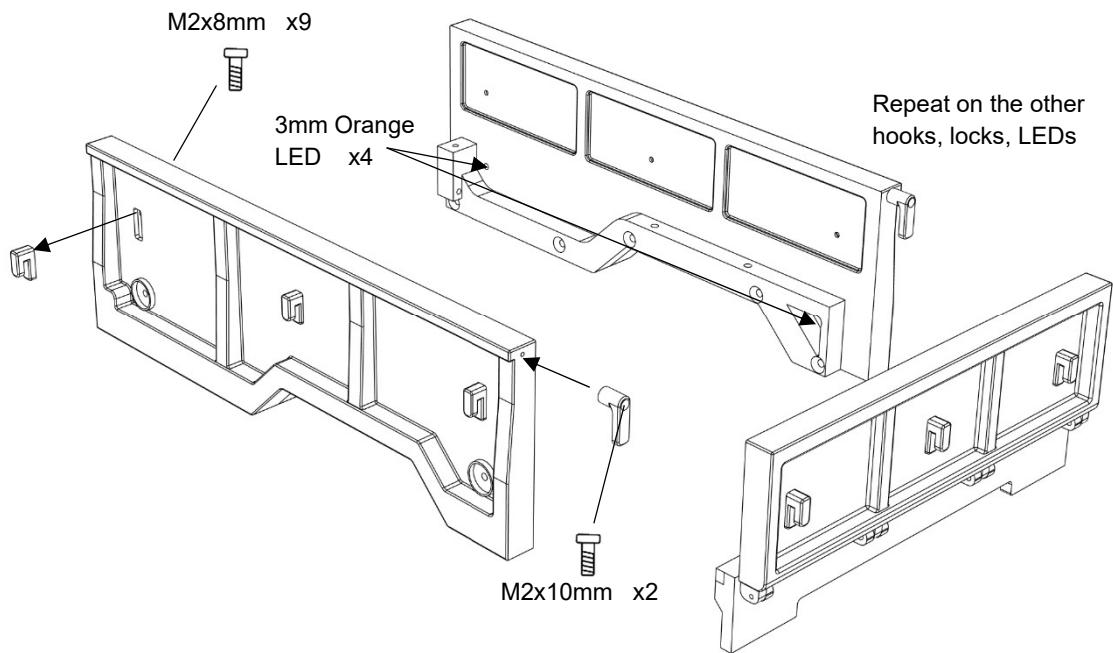
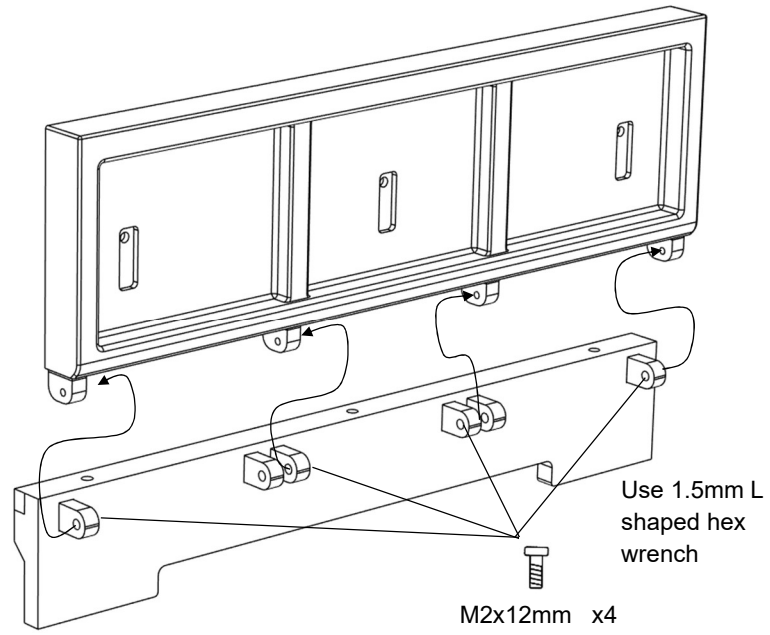
| Hardware | Quantity | Hardware | Quantity |
|-------------------|----------|---|----------|
| M2*5 Socket head | 14 | M3*20 Socket head | 4 |
| M2*8 Socket head | 12 | M3*25 Socket head | 2 |
| M2*10 Socket head | 2 | M3*16 Countersunk (CS) | 13 |
| M2*12 Socket head | 6 | M3*20 Countersunk (CS) | 12 |
| M3*10 Socket head | 10 | 10*2 magnet | 4 |
| M3*12 Socket head | 5 | M3 Washer | 8 |
| M3*16 Socket head | 4 | M3*16 Socket head for VS4-10 bumper mount | 2 |

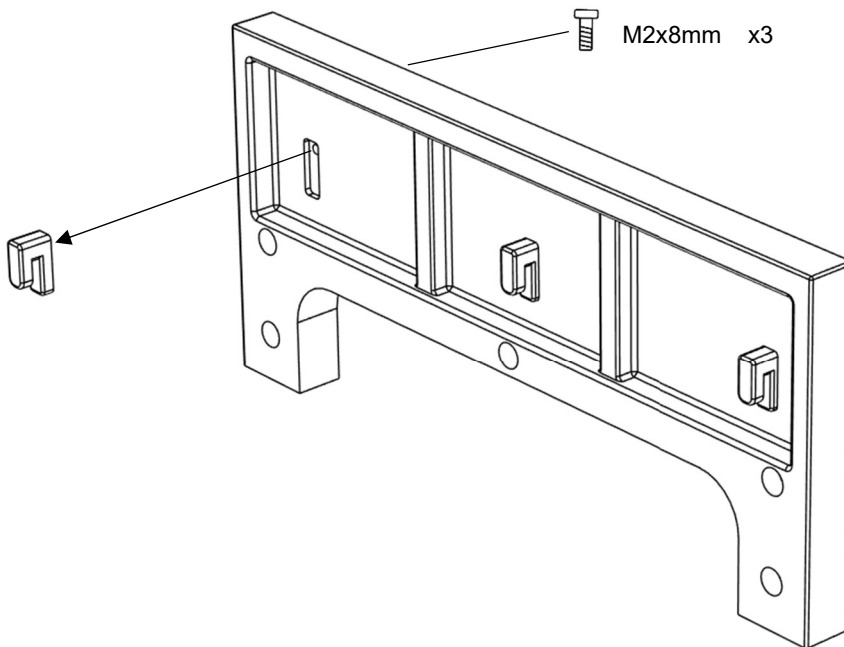
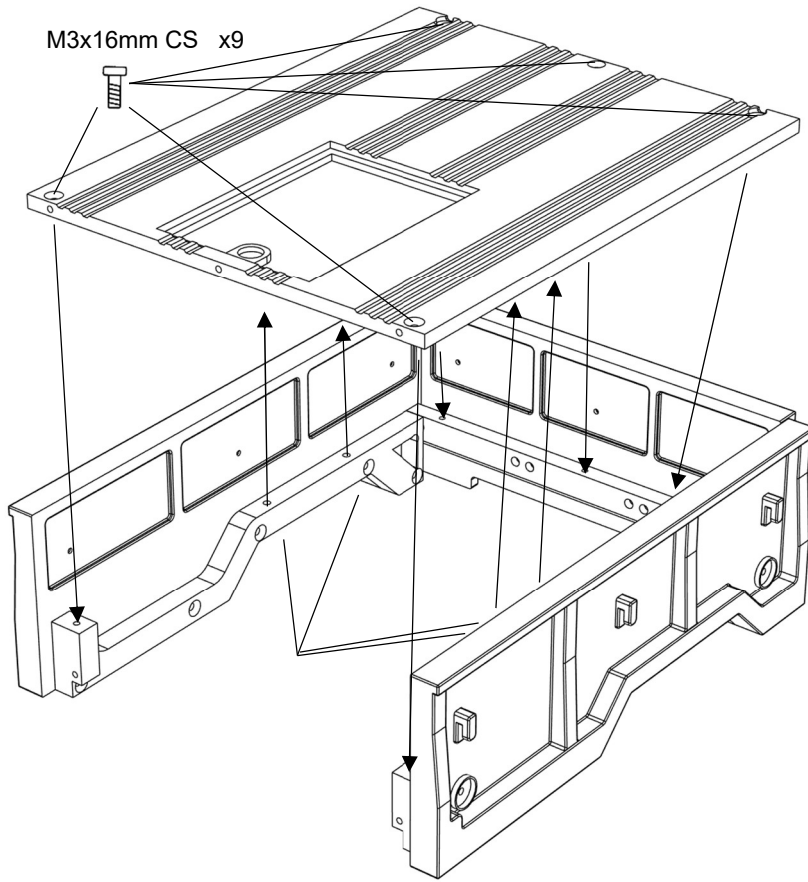
Before you begin

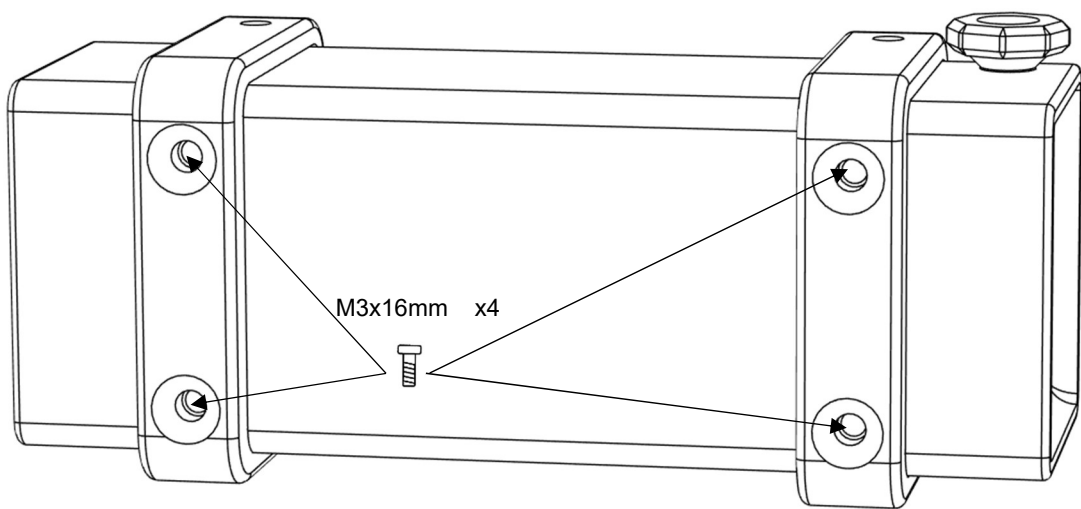
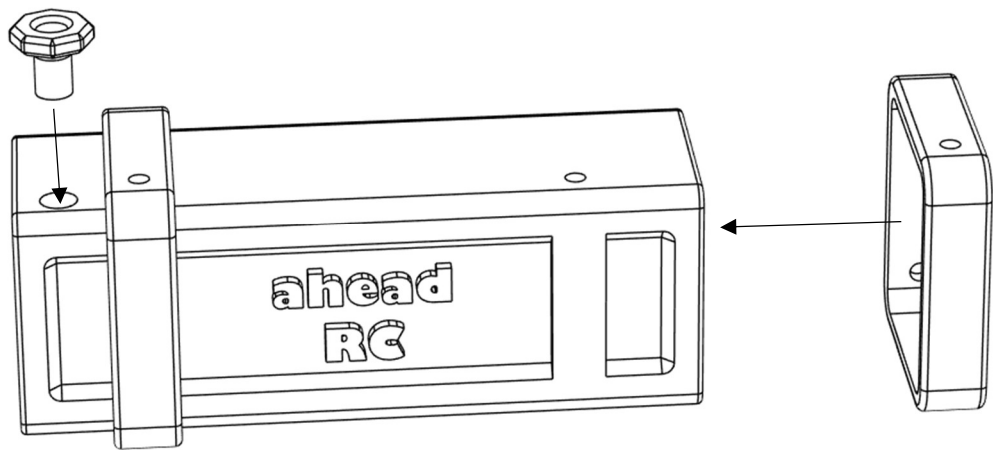
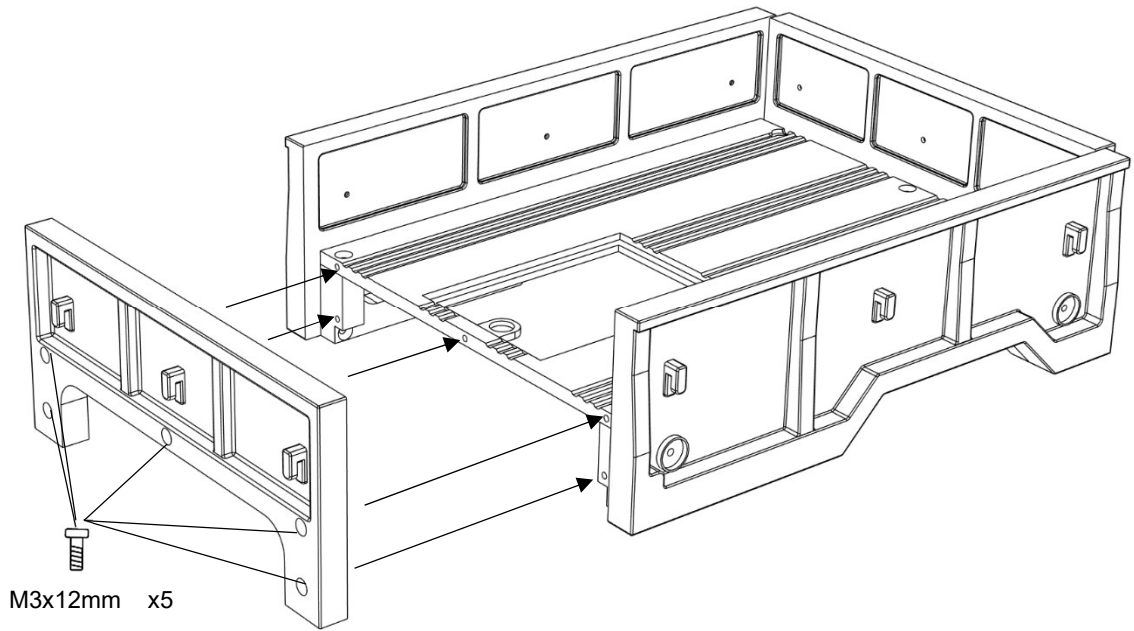
- Be sure to read through the manual and familiarise yourself with the instructions
- Visualise a plan to assemble all the pieces
- Make sure you have all of the hardware and tools
- Be sure to have enough instant glue
- Dry fit all parts before painting and assembling

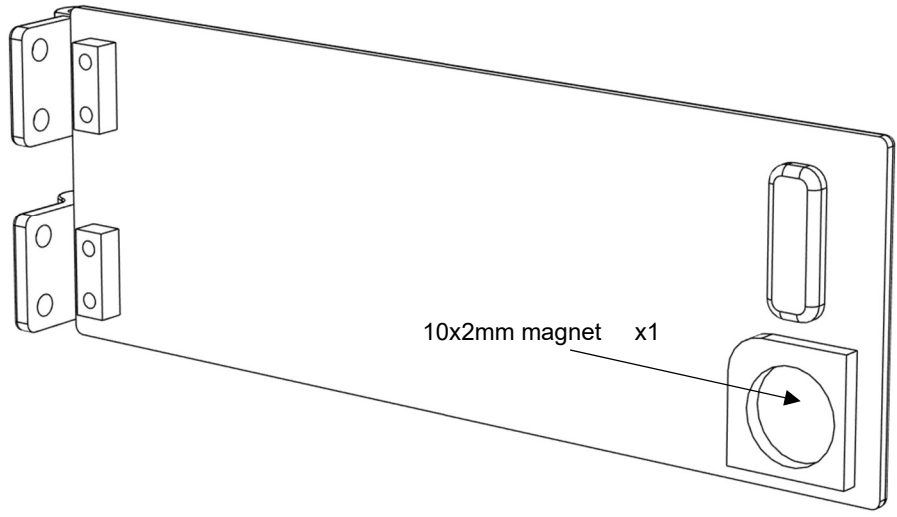
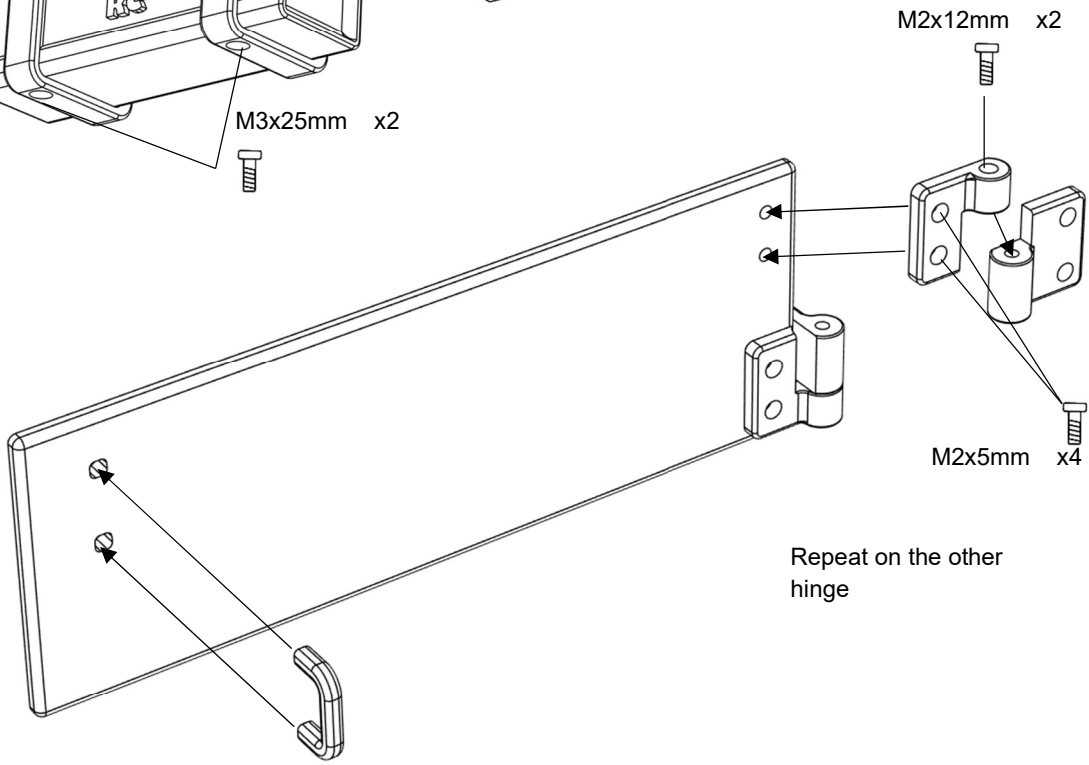
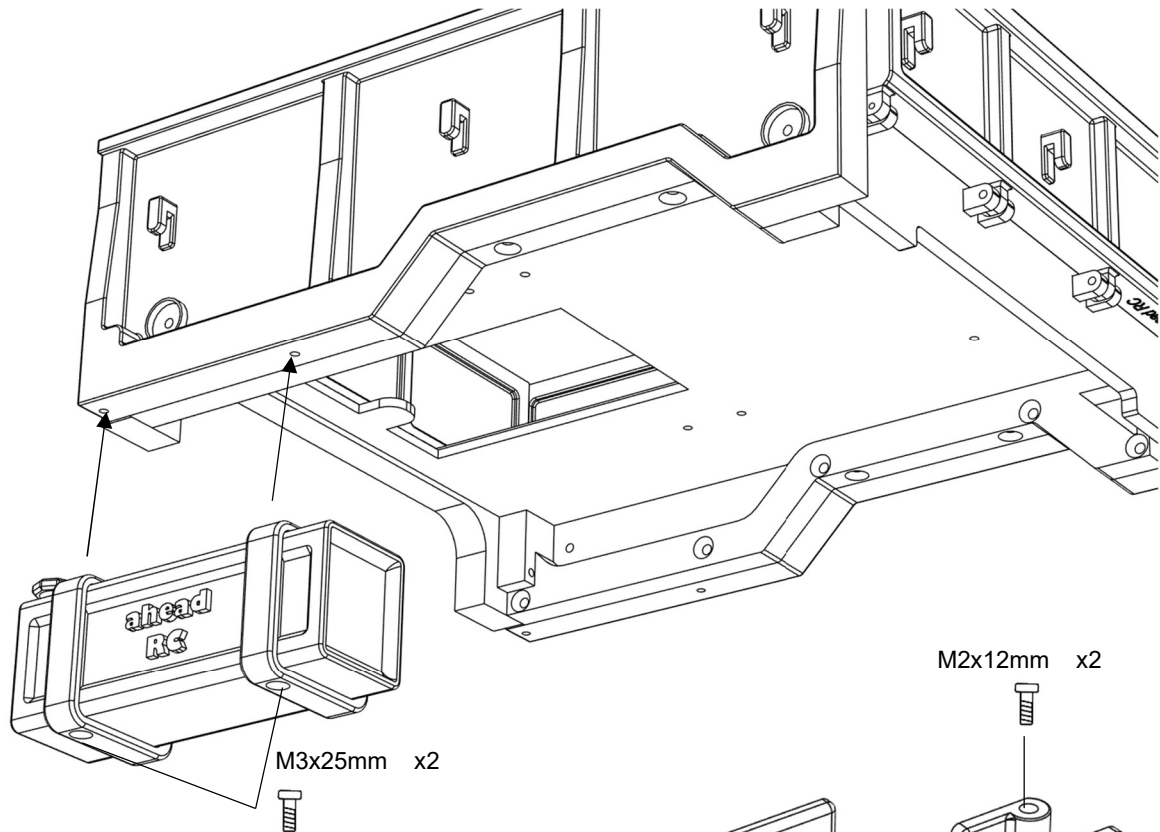
Tip: It will help to paint all of the parts before final assembly

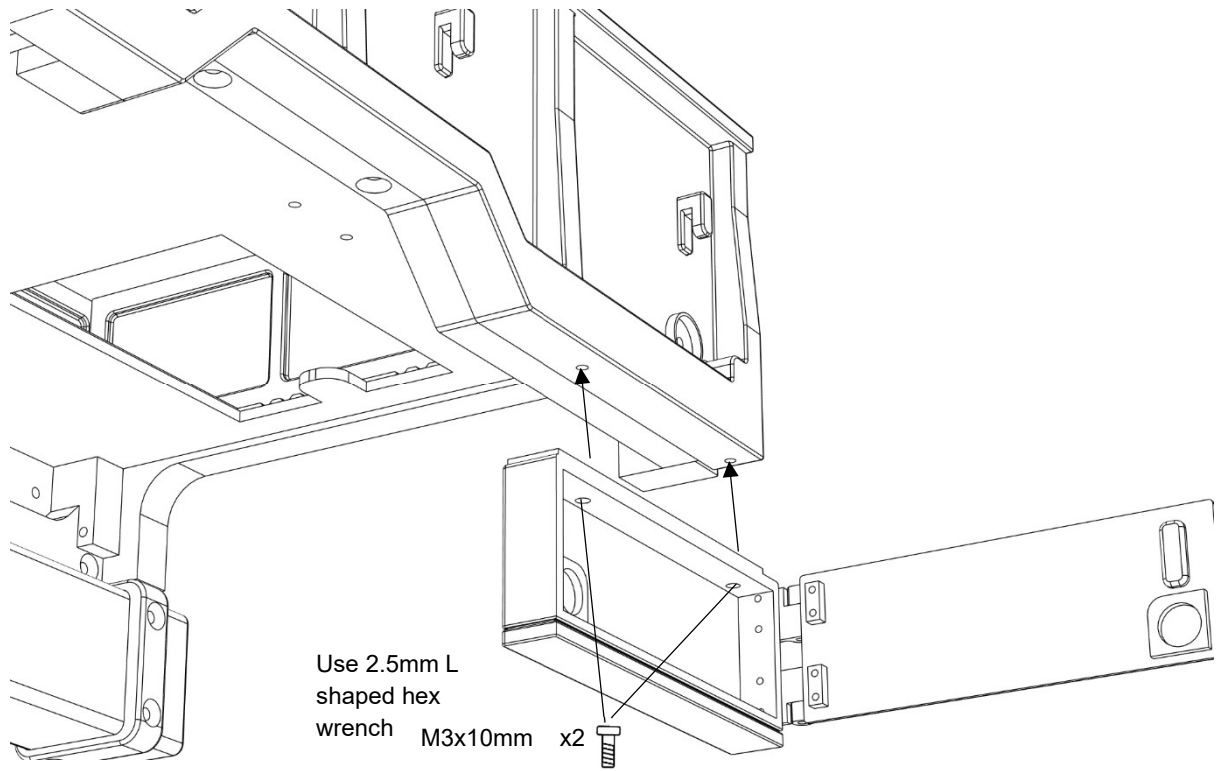
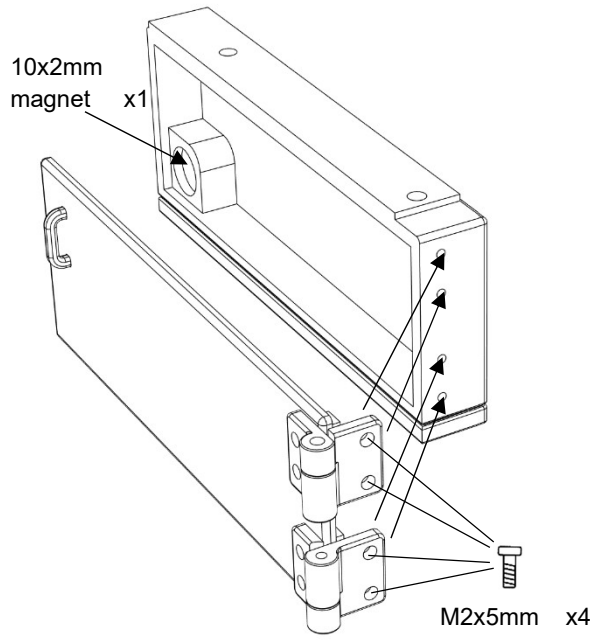




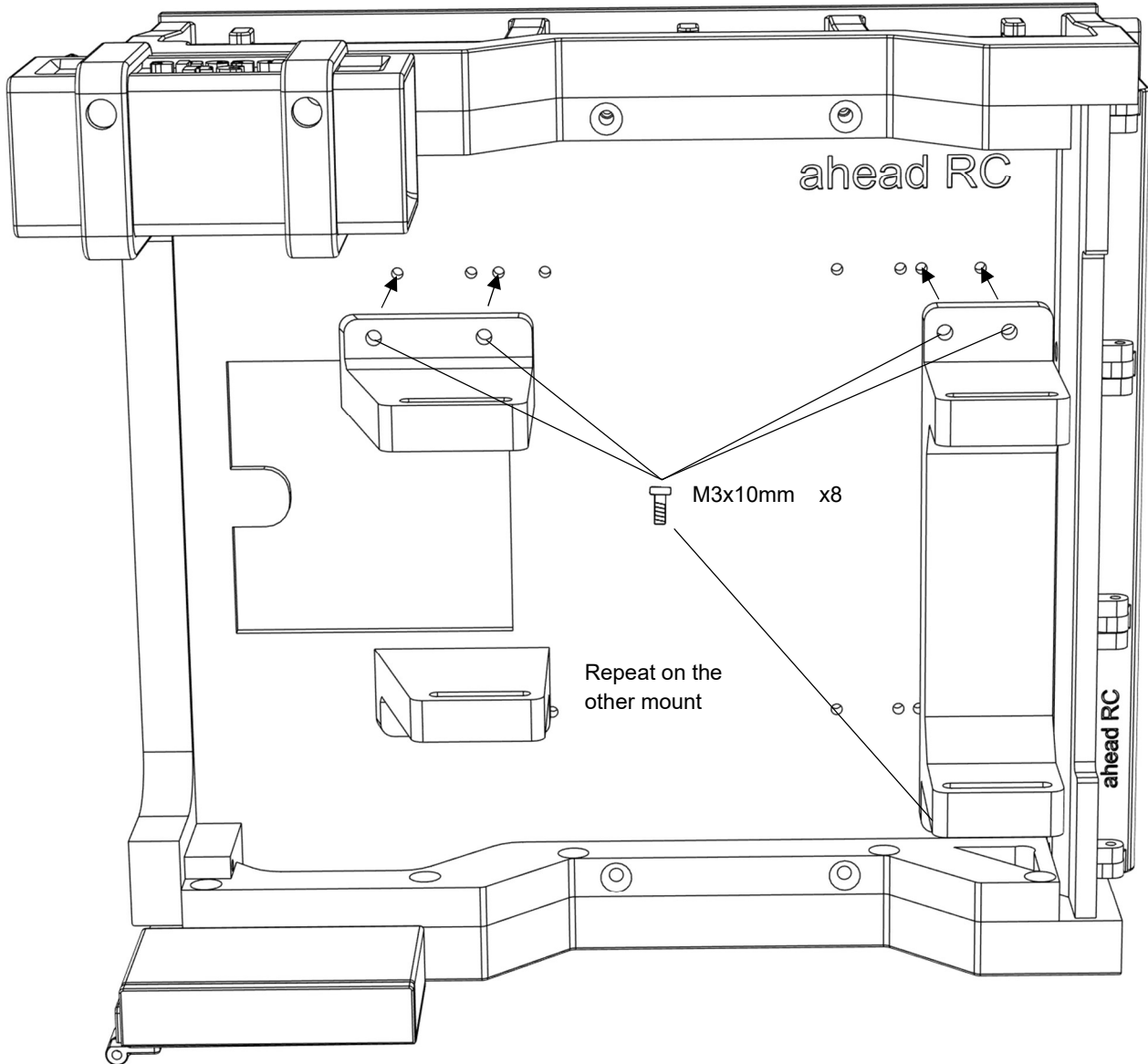




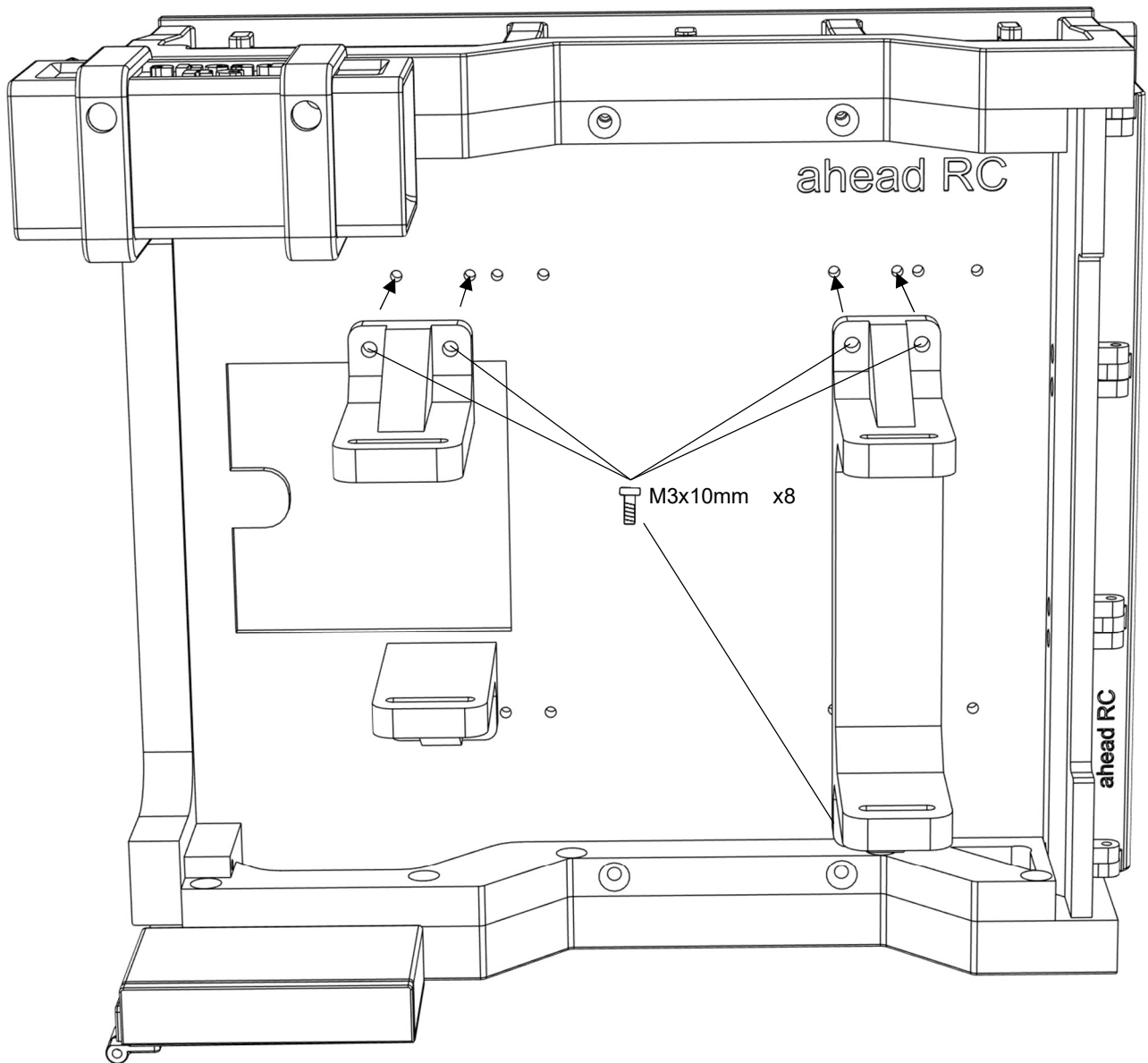




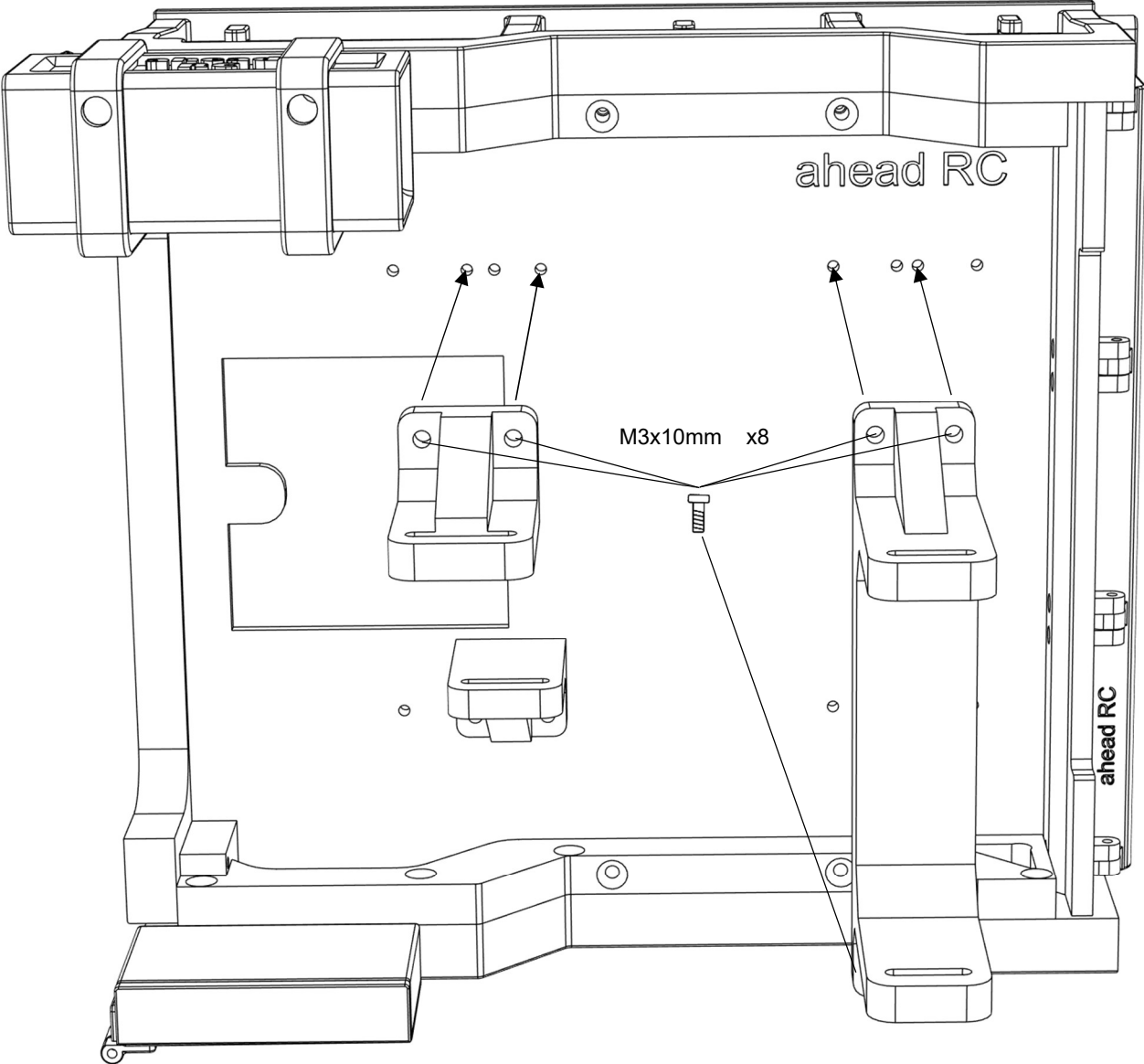
TRX4 body mounts



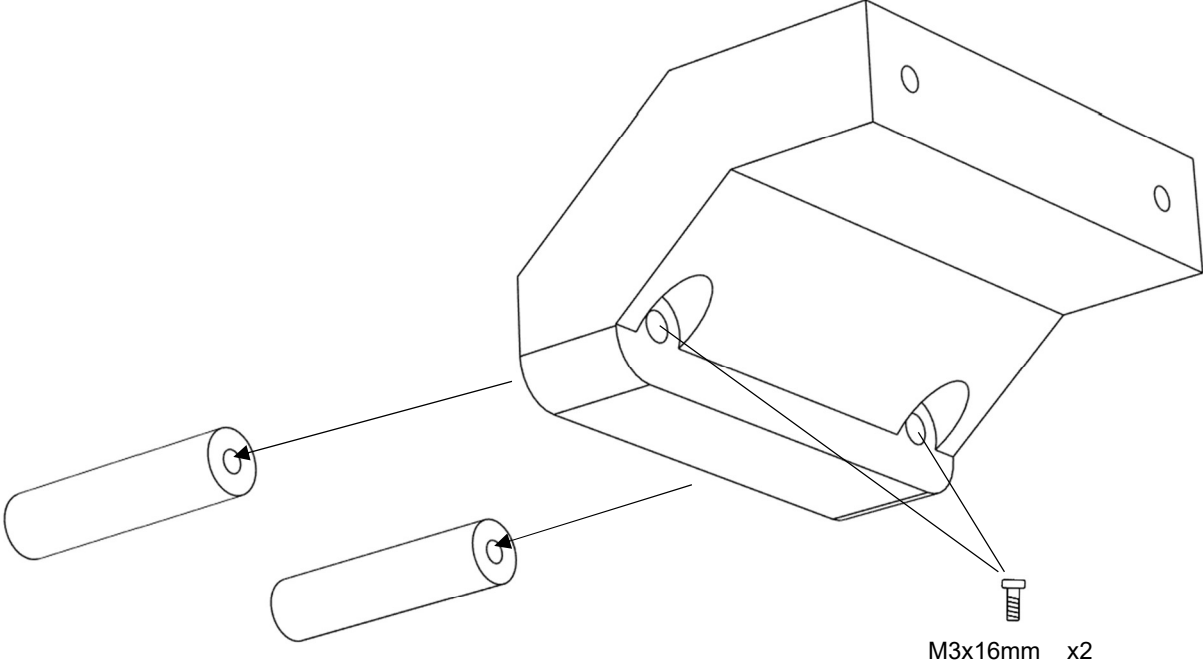
SCX10 ii body mounts



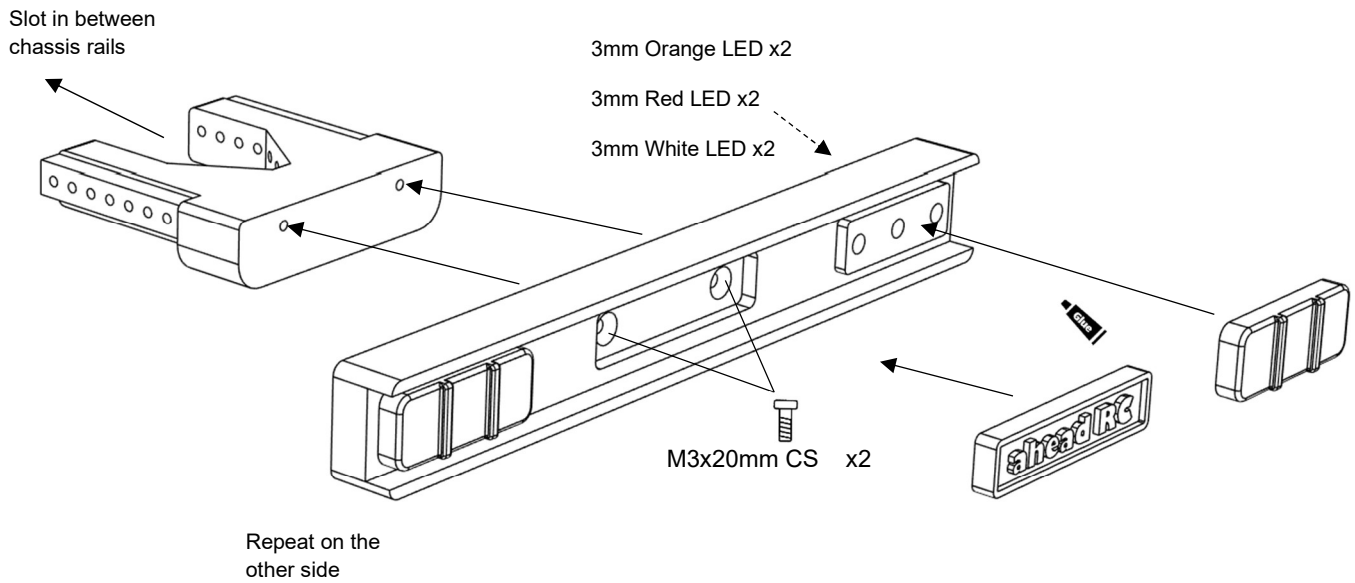
VS4-10 body mounts



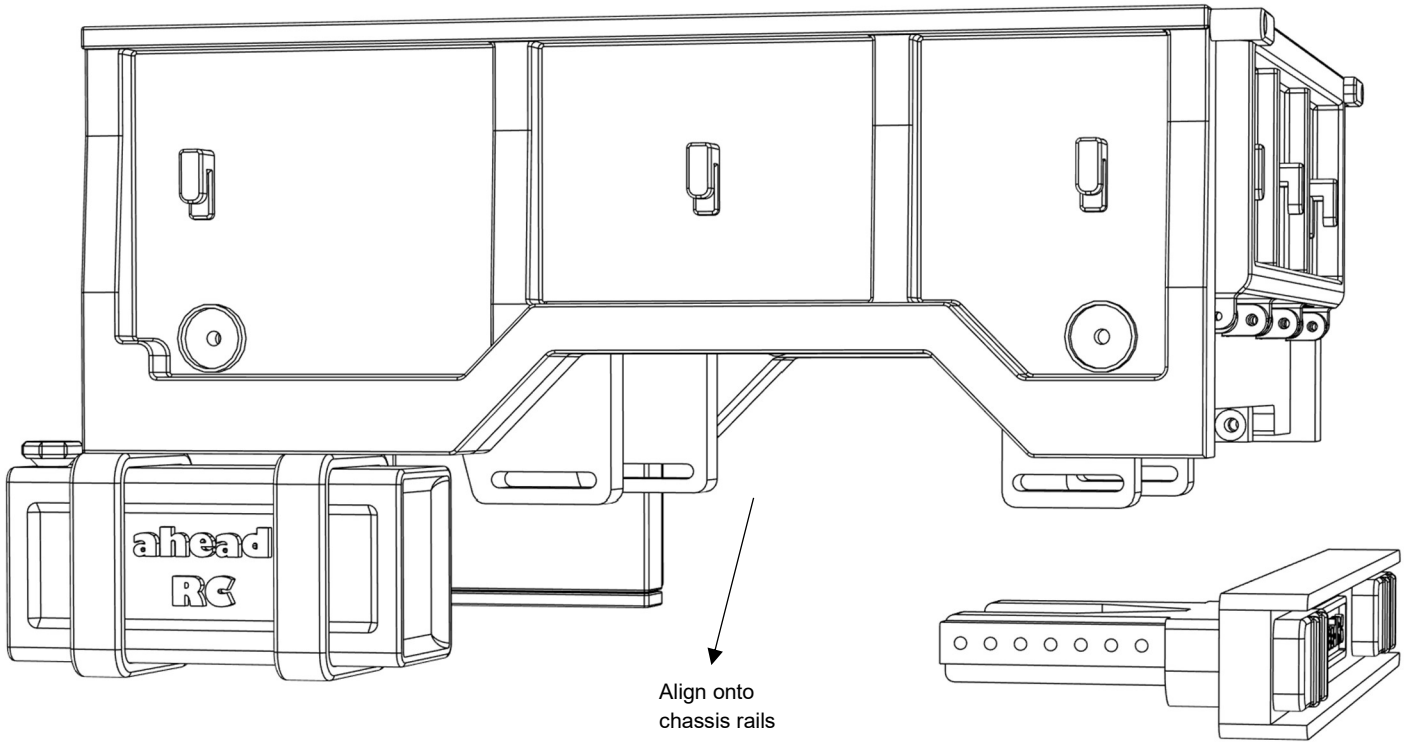
VS4-10 Bumper mount

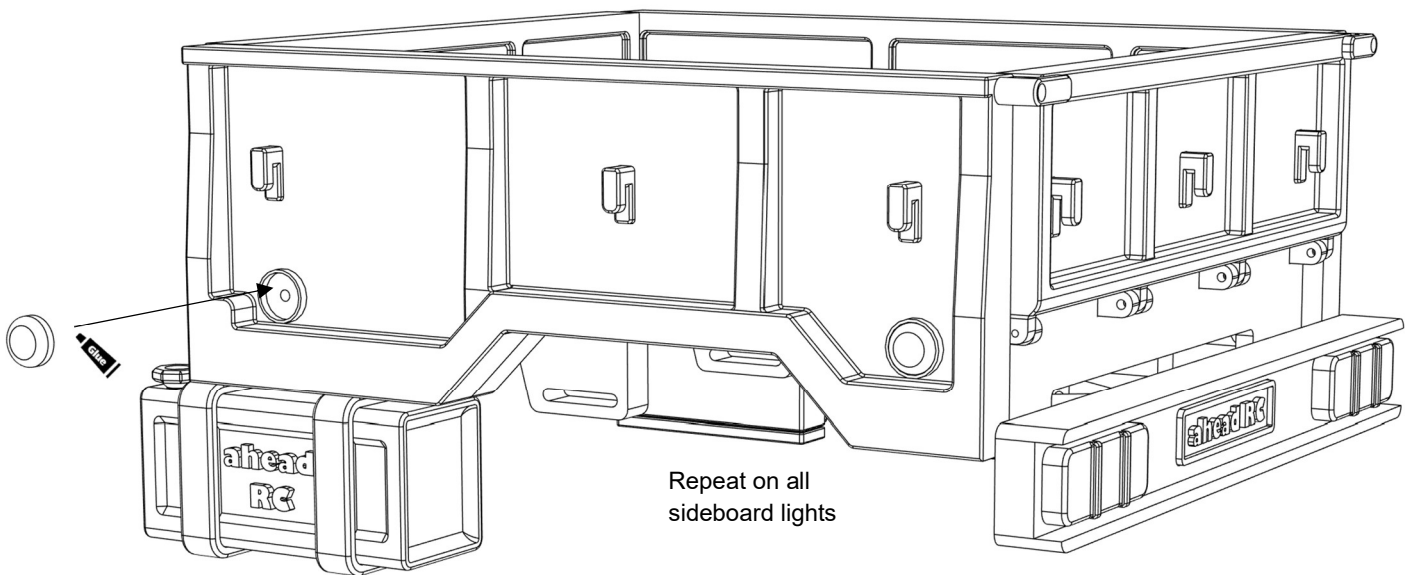
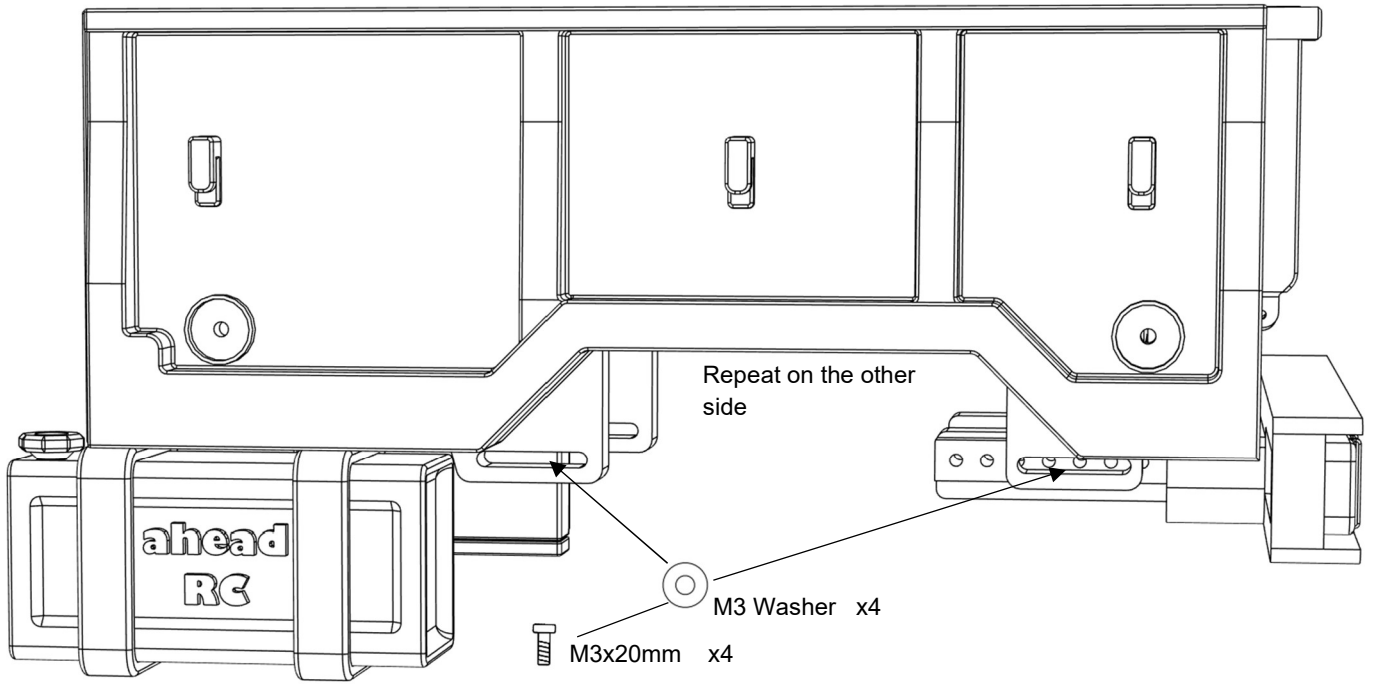


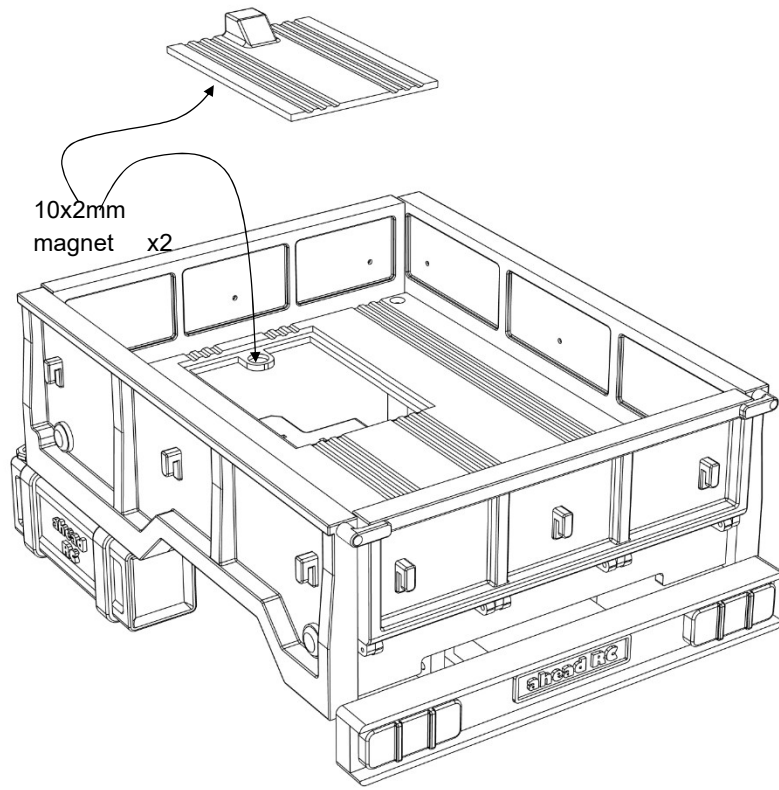
TRX4, SCX10 ii, VS4-10 bumper assembly

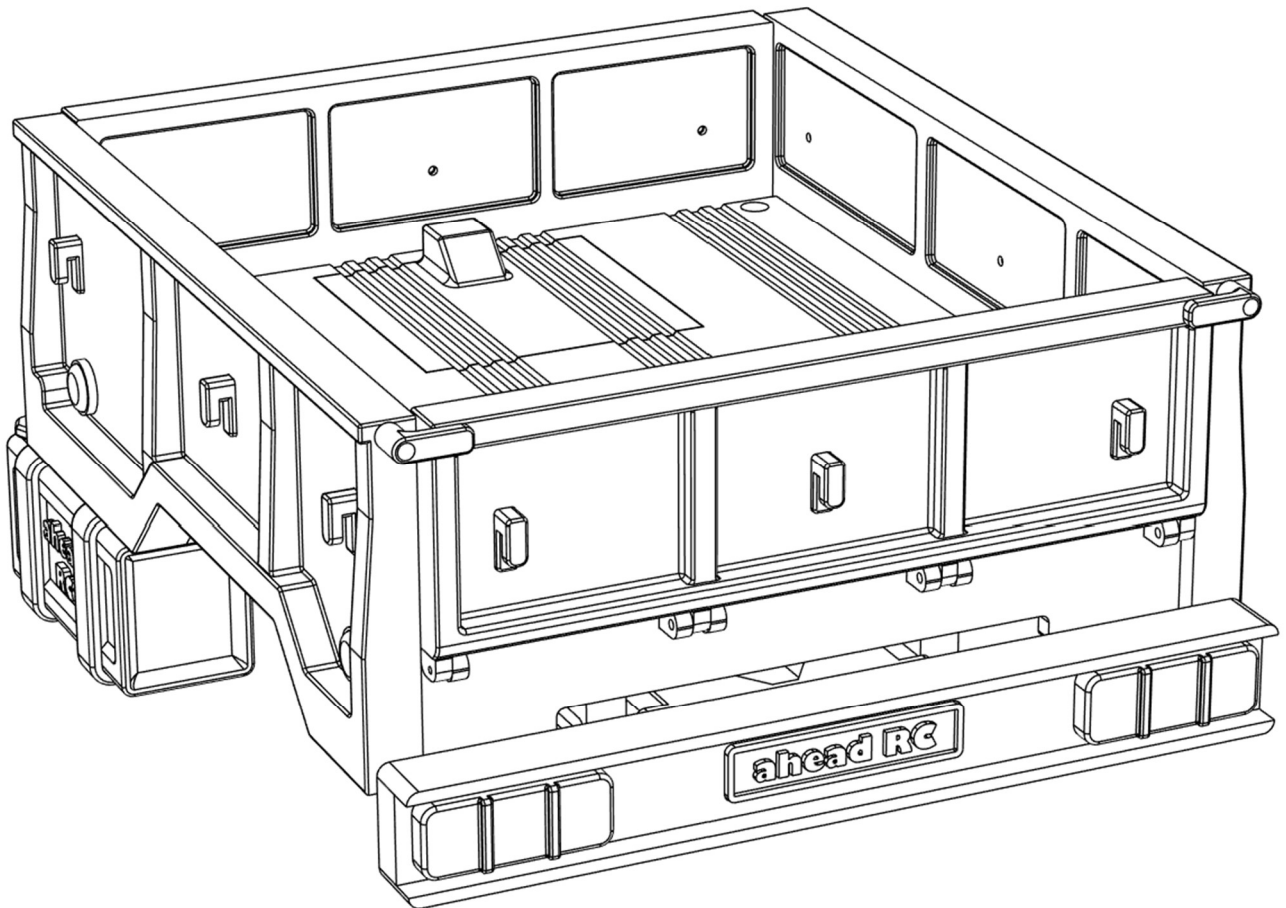


Bumper mount will look different across different chassis. But the assembly concept is the same.









Body is now fully complete. Thank you for selecting ahead RC products.

If you have any questions or need help with the assembly, please do not hesitate to contact us at:

aheadrc@gmail.com

or visit us at:

www.aheadrc.com